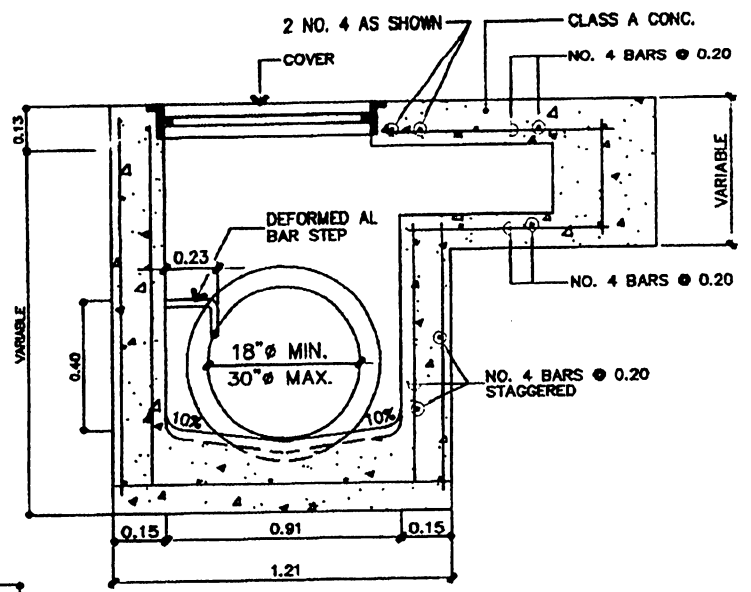
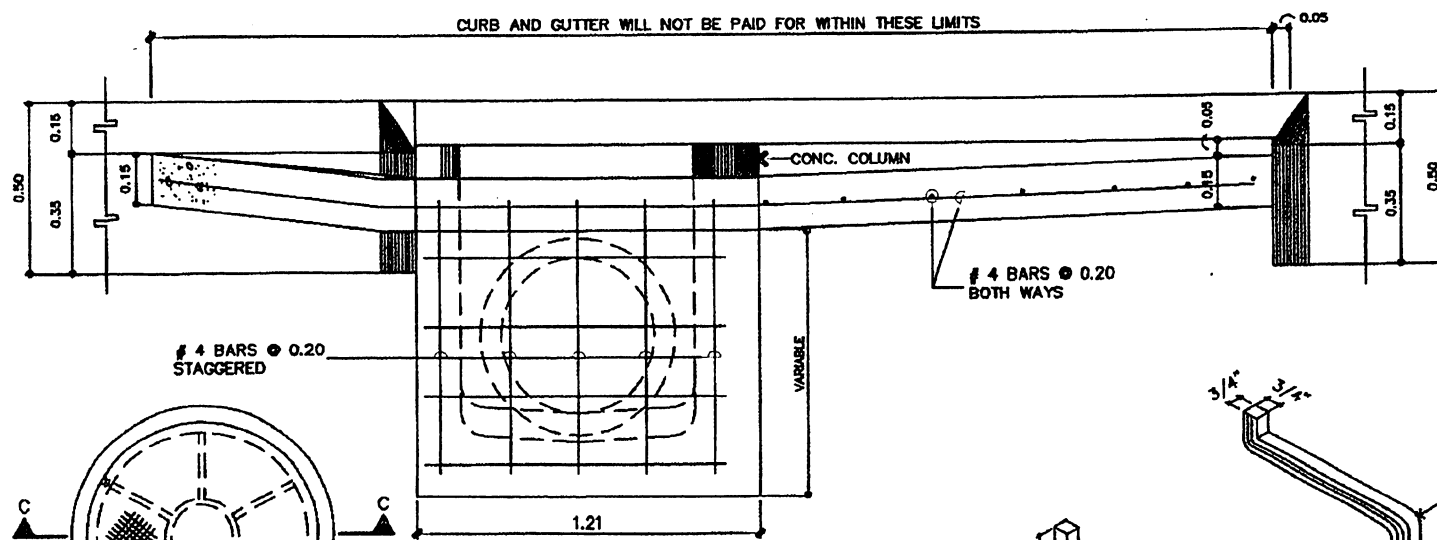


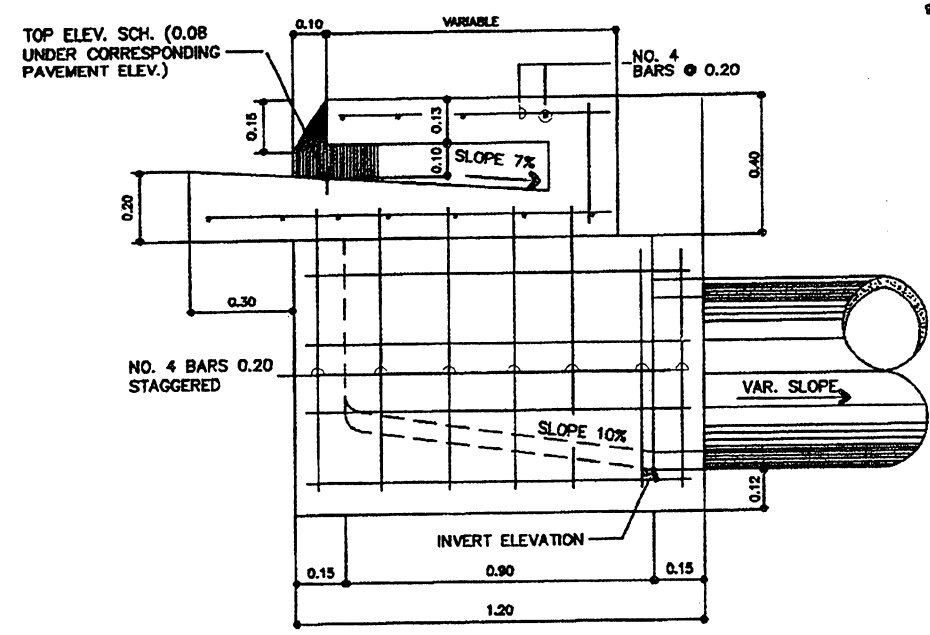
PLAN



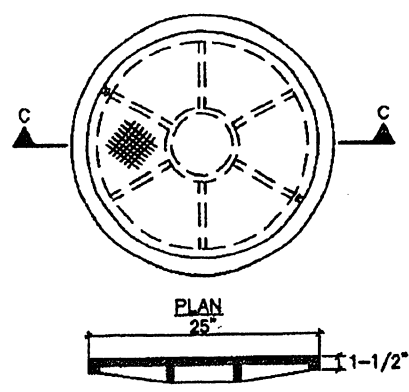
SECTION B-B



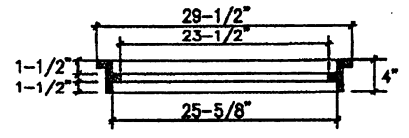
SECTION A-A



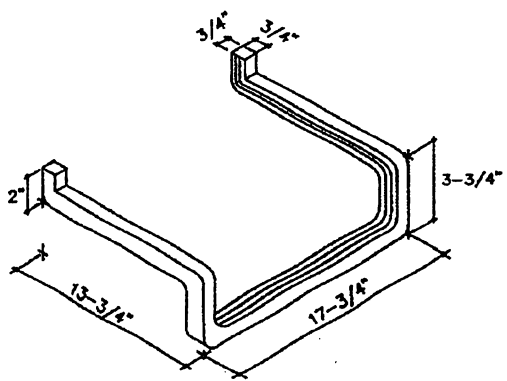
SECTION C-C



SECTION C-C
CAST IRON COVER AND FRAME FOR INLET



FRAME



ALUMINUM STEP DETAIL
NOT TO SCALE

NOTES

- 1- CURB INLET TO BE SYMMETRICAL ABOUT ITS CENTER ON LOW PORTS WHERE RUN-OFF CONTROLS FROM BOTH ENDS TO BE PAID AT THE SAME UNIT PRICE.
- 2- MINIMUM COVER FROM SUBGRADE TO TOP OF PIPE SHALL BE 0.30 M.
- 3- NO REINFORCEMENT IS SHOWN ON BOX OF INLET ON THE PLAN VIEW INTENTIONALLY.
- 4- NO ALUMINUM STEP WILL BE REQUIRED WHERE DEPTH IS 1.00 OR LESS. INSTALL ONE STEP 0.40 ABOVE FLOOR WHEN DEPTH IS MORE THAN 1.00 BUT LESS THAN 1.50. WHERE DEPTH IS MORE THAN 1.50, STEPS SHALL BE EVENLY SPACED AT 0.30 INTERVALS FROM 0.40 ABOVE FLOOR TO WITHIN 0.60 OF THE TOP OF THE BOX. PLACE STEPS IN WALL WITHOUT PIPE OPENING AND ADJACENT TO FRAME OPENING.
- 5- PORTLAND CEMENT CONCRETE SHALL BE CLASS A.
- 6- ITEMS MANUFACTURED WITH DIMENSIONS IN ENGLISH UNIT EQUIVALENTS WILL BE ACCEPTABLE.
- 7- REINFORCING STEEL SHALL BE GRADE 60, AASHTO M-31 OR M-31M.
- 8- THE CONTRACTOR IS RESPONSIBLE TO TRANSITION ADJACENT CURBS, CURBS & GUTTERS AND CONCRETE BARRIERS TO CONFORM WITH THE SHAPE AT THE ENDS OF THE INLET, AS A SUBSIDIARY OBLIGATION.
- 9- ALL GRAY CAST IRON PRODUCTS USED IN THE "DR" SERIES OF THE STANDARD DRAWINGS MUST BE FROM APPROVED MANUFACTURERS AND THE APPROVED PRODUCTS IDENTIFIED BY PRODUCT NUMBER OR CATALOG NUMBER LISTED IN THE APPROVED LIST OF MANUFACTURERS AND PRODUCTS CONTAINED IN THE FIRST PAGE OF THE "DR" SERIES.

EFFECTIVE DATE: DECEMBER 1998

COMMONWEALTH OF PUERTO RICO
DEPARTMENT OF TRANSPORTATION
AND PUBLIC WORKS
HIGHWAY AND TRANSPORTATION AUTHORITY

DRAINAGE INLET TYPE 2 FROM 18" TO 30"	RECOMMENDED BY: <i>[Signature]</i> DESIGN AREA DIRECTOR DATE: <i>Dec-7-98</i>
	APPROVED BY: <i>[Signature]</i> EXECUTIVE DIRECTOR DATE: <i>8-21-98</i>
	APPROVED BY: <i>[Signature]</i> DIV. ADM. FHWA-PR DIVISION DATE: <i>12-7-98</i>

DATE	REVISION	BY	STD.	DR
12-1998	DELETE NOTES, ADD NOTE 9	LV.	DWG.	10 OF 40