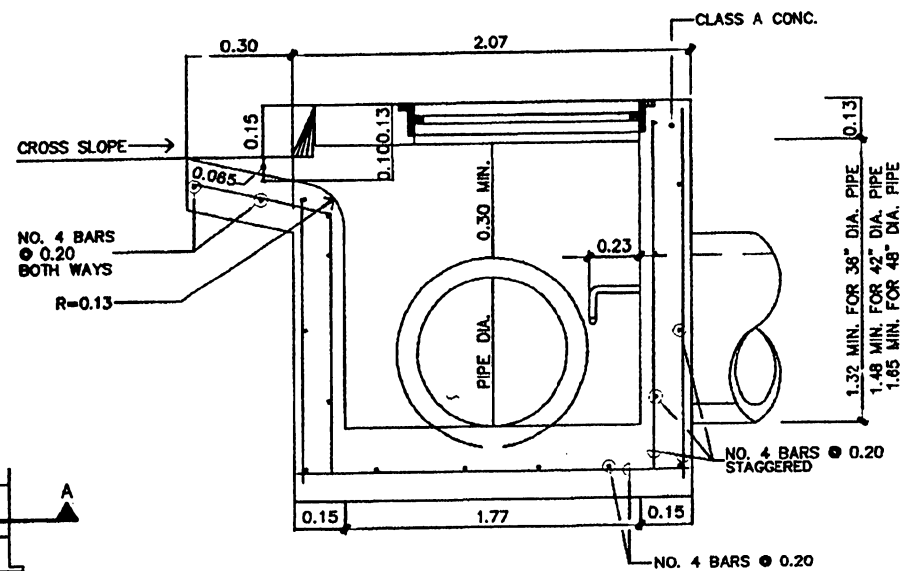
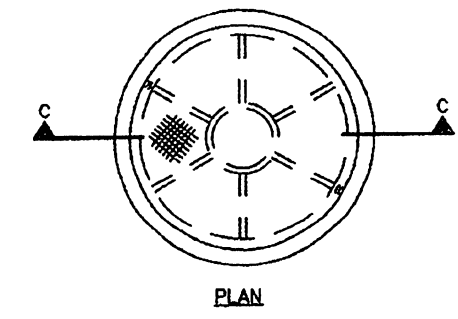


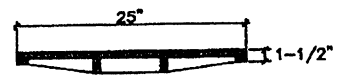
PLAN



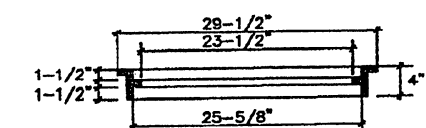
SECTION B-B



PLAN

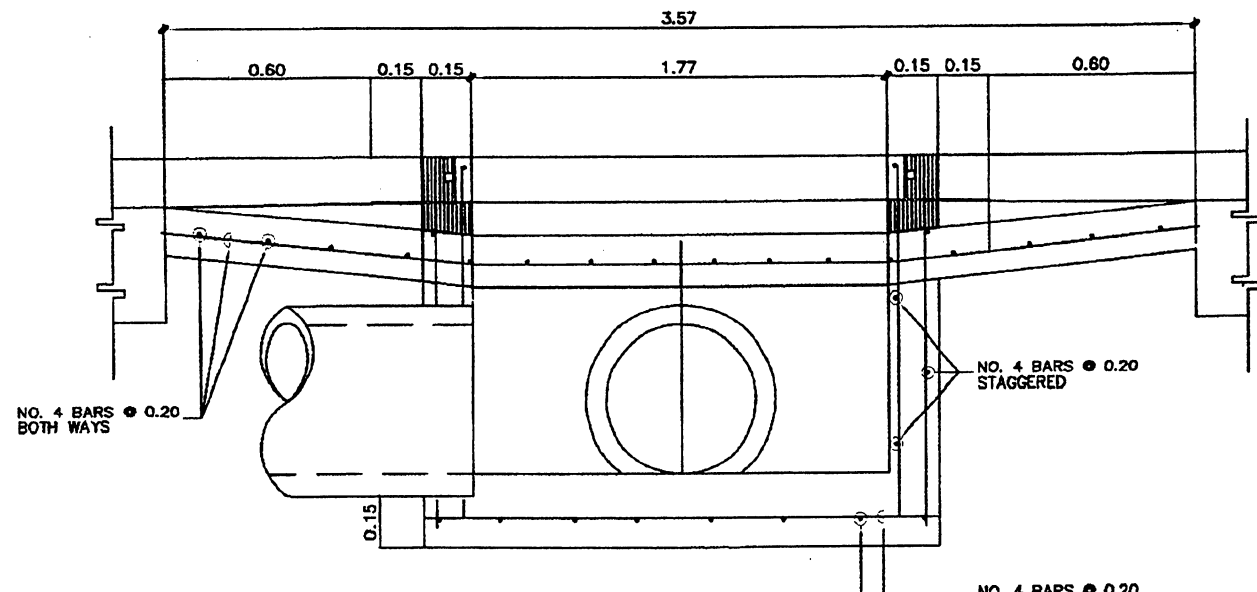


SECTION C-C

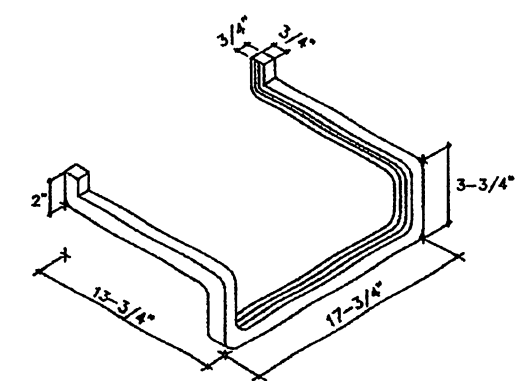


FRAME

CAST IRON COVER AND FRAME FOR INLET



SECTION A-A



ALUMINUM STEP DETAIL

NOTES:

- 1 - MINIMUM COVER FROM SUBGRADE TO TOP OF PIPE SHALL BE 0.30 M.
- 2 - NO ALUMINUM STEPS WILL BE REQUIRED WHERE DEPTH IS 1.00 OR LESS. INSTALL ONE STEP 0.40 ABOVE FLOOR WHEN DEPTH IS MORE THAN 1.00 BUT LESS THAN 1.50, WHERE DEPTH IS MORE THAN 1.50, STEPS SHALL BE EVENLY SPACED AT 0.30 INTERVALS FROM 0.40 ABOVE FLOOR TO WITHIN 0.60 OF THE TOP OF THE BOX. PLACE STEPS IN WALL WITHOUT PIPE OPENING AND ADJACENT TO FRAME OPENING.
- 3 - PORTLAND CEMENT CONCRETE SHALL BE CLASS A.
- 4 - ITEMS MANUFACTURED WITH DIMENSIONS IN ENGLISH UNIT EQUIVALENTS WILL BE ACCEPTABLE.
- 5 - REINFORCING STEEL SHALL BE GRADE 60, AASHTO M-31 OR M-31M.
- 6 - THE CONTRACTOR IS RESPONSIBLE TO TRANSITION ADJACENT CURBS, CURBS & GUTTERS AND CONCRETE BARRIERS TO CONFORM WITH THE SHAPE AT THE ENDS OF THE INLET, AS A SUBSIDIARY OBLIGATION.
- 7 - ALL GRAY CAST IRON PRODUCTS USED IN THE "DR" SERIES OF THE STANDARD DRAWINGS MUST BE FROM APPROVED MANUFACTURERS AND THE APPROVED PRODUCTS IDENTIFIED BY PRODUCT NUMBER OR CATALOG NUMBER LISTED IN THE APPROVED LIST OF MANUFACTURERS AND PRODUCTS CONTAINED IN THE FIRST PAGE OF THE "DR" SERIES.

EFFECTIVE DATE: DECEMBER 1998

COMMONWEALTH OF PUERTO RICO DEPARTMENT OF TRANSPORTATION AND PUBLIC WORKS HIGHWAY AND TRANSPORTATION AUTHORITY		
DRAINAGE INLET TYPE 3A FROM 36" TO 48"		RECOMMENDED BY: <i>[Signature]</i> DESIGN AREA DIRECTOR DATE: 12-7-98 APPROVED BY: <i>[Signature]</i> EXECUTIVE DIRECTOR DATE: 12-7-98 APPROVED BY: <i>[Signature]</i> DIV. ADM. FHWA-PR DIVISION DATE: 12-7-98
DATE	REVISION	BY
12-1998	DELETE NOTE, ADD NOTE 7	I.V.
STD. DWG.	DR	13 OF 40