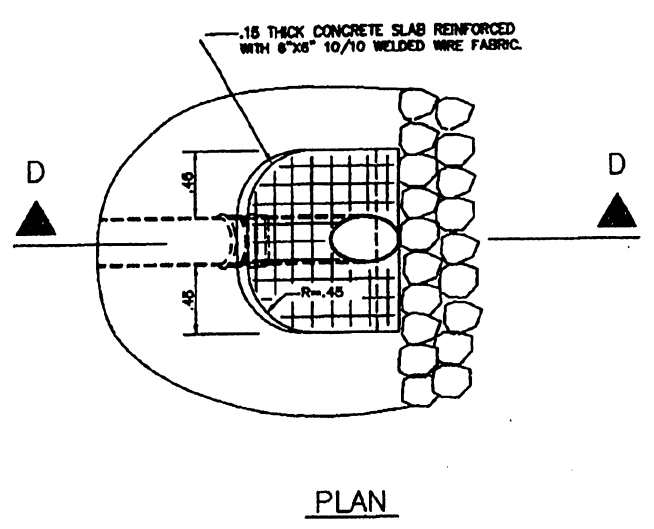
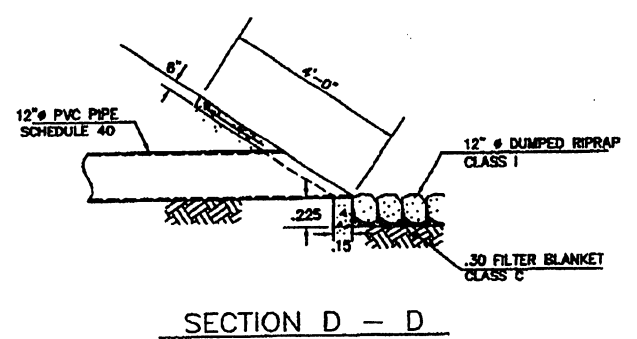


PLAN

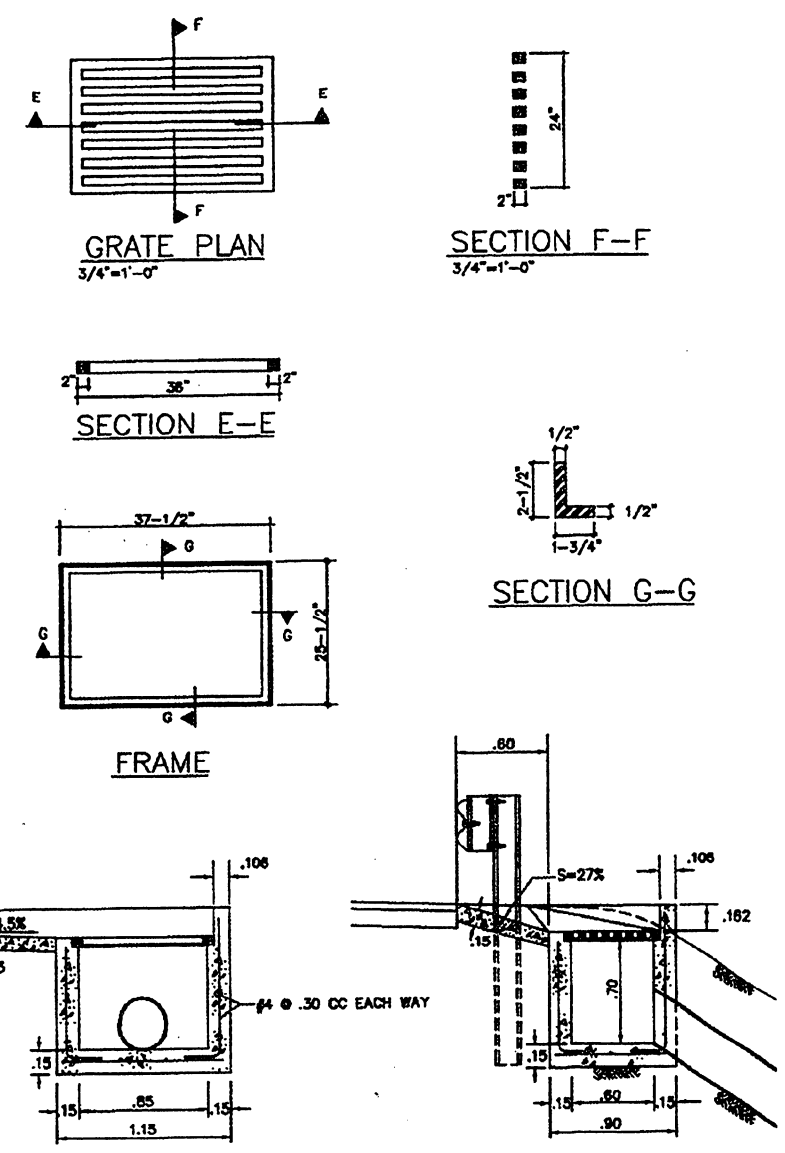


PLAN



SECTION D - D

HEADWALL DETAILS



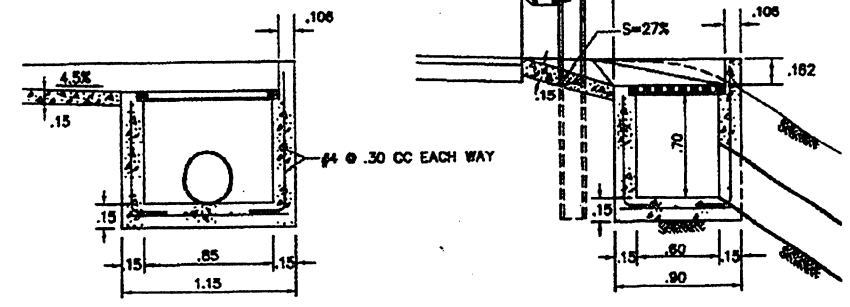
GRATE PLAN
3/4"=1'-0"

SECTION F-F
3/4"=1'-0"

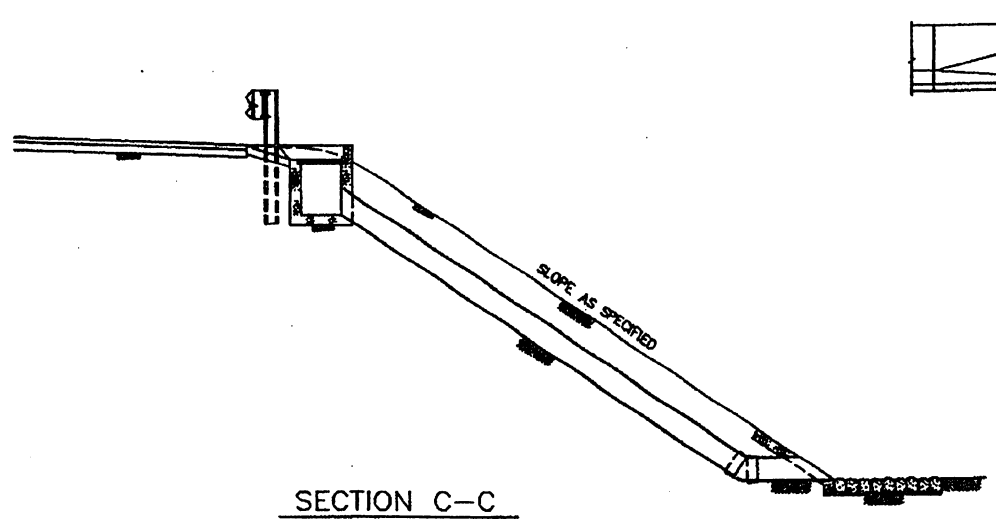
SECTION E-E
3/4"=1'-0"

SECTION G-G
1/2"=1'-0"

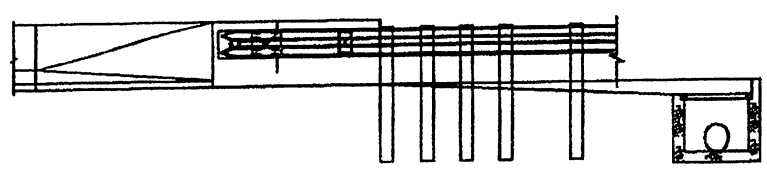
FRAME



SECTIONS THROUGH INLET



SECTION C-C



SECTION A-A

NOTES:

- 1- PORTLAND CEMENT CONCRETE SHALL BE CLASS A.
- 2- CONCRETE APRON AND HEADWALL, PVC PIPE, DUMPED RIPRAP AND FILTER BLANKET SHALL BE A SUBSIDIARY OBLIGATION OF THE BRIDGE END INLET.
- 3- USE FRAMES AND GRATES SHOWN IN DR 14,15 OR 16.
- 4- ALL GRAY CAST IRON PRODUCTS USED IN THE "DR" SERIES OF THE STANDARD DRAWINGS MUST BE FROM APPROVED MANUFACTURERS AND THE APPROVED PRODUCTS IDENTIFIED BY PRODUCT NUMBER OR CATALOG NUMBER LISTED IN THE APPROVED LIST OF MANUFACTURERS AND PRODUCTS CONTAINED IN THE FIRST PAGE OF THE "DR" SERIES.

EFFECTIVE DATE: DECEMBER 1998

COMMONWEALTH OF PUERTO RICO
DEPARTMENT OF TRANSPORTATION
AND PUBLIC WORKS
HIGHWAY AND TRANSPORTATION AUTHORITY

**DRAINAGE
BRIDGE END INLETS**

<p>DESIGNED BY: <i>[Signature]</i> DATE: <i>12-1-98</i></p> <p>APPROVED BY: <i>[Signature]</i> EXECUTIVE DIRECTOR DATE: <i>12-1-98</i></p> <p>APPROVED BY: <i>[Signature]</i> DIV. ADM. FHWA-PR DIVISION DATE: <i>12-7-98</i></p>	<p>RECOMMENDED BY: <i>[Signature]</i> DATE: <i>12-1-98</i></p> <p>APPROVED BY: <i>[Signature]</i> DATE: <i>12-1-98</i></p> <p>APPROVED BY: <i>[Signature]</i> DATE: <i>12-7-98</i></p>						
<table border="1" style="width: 100%; border-collapse: collapse;"> <thead> <tr> <th>DATE</th> <th>REVISION</th> <th>BY</th> </tr> </thead> <tbody> <tr> <td>12-1998</td> <td>DELETE NOTE, ADD NOTES 3 & 4</td> <td>LV.</td> </tr> </tbody> </table>	DATE	REVISION	BY	12-1998	DELETE NOTE, ADD NOTES 3 & 4	LV.	<p>STD. DWG. 18 OF 40</p>
DATE	REVISION	BY					
12-1998	DELETE NOTE, ADD NOTES 3 & 4	LV.					