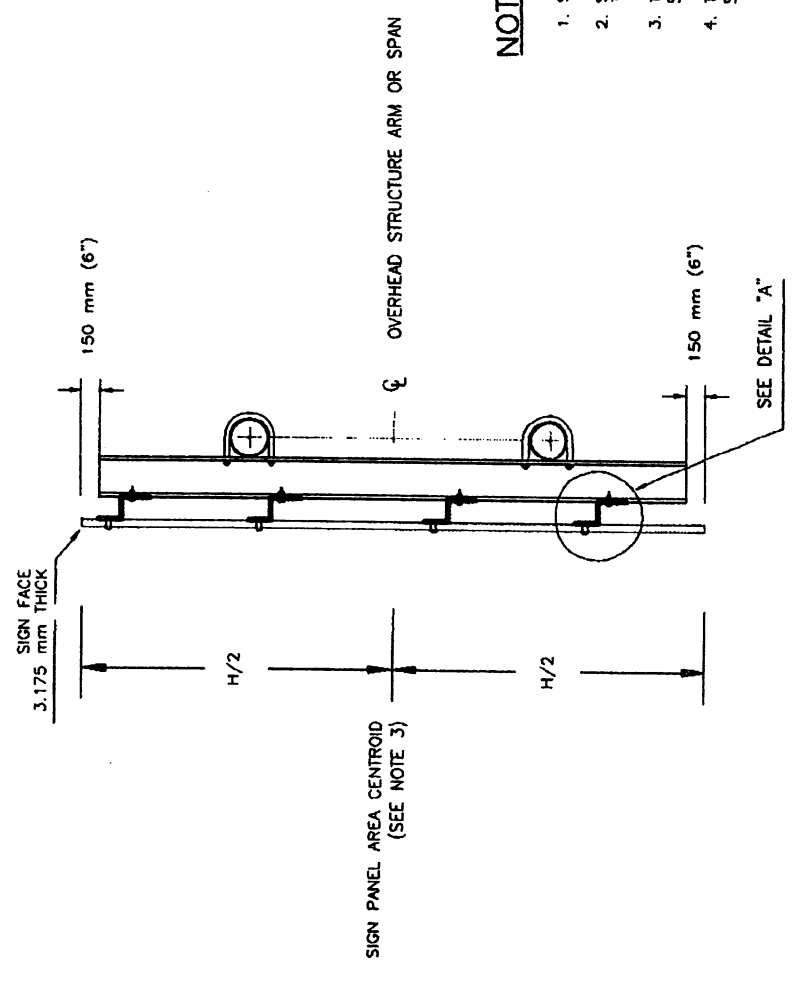


TYPICAL SIGN FACE ELEVATION FOR OVERHEAD TRUSS

TABLE 1 -- NUMBER OF WIND BEAMS AND HANGERS

# OF BEAMS	MAX. HEIGHT (M)	NUMBER OF Z 4x3.58 ALUMINUM VERTICAL HANGER BEAMS FOR SIGN LENGTH (L)					
		2	3	4	5	6	
2	2.21	3.65	7.30	10.95	13.41	14.6	
3	3.65	3.65	7.30	10.95	13.41	14.6	



NOTES:

- SIGN CORNERS SHALL BE ROUNDED WITH A 0.30 (1') RADIUS.
- SPACING OF VERTICAL HANGERS MAY BE VARIED SLIGHTLY OR AS NECESSARY TO CLEAR THE TRUSS STRUTS AND DIAGONALS AT PANEL ATTACHMENT POINTS.
- THE AREA CENTROID OF THE SIGN PANEL SHALL MATCH WITH THE OVERHEAD STRUCTURE ARM OR SPAN CENTERLINE.
- THE BOLT A307 ATTACHING THE SIGN PLATE TO THE WIND BEAMS SHALL BE SPACED STARTING AT THE CENTER LINE OF THE PANEL AND PROGRESSING OUTWARDS.

EFFECTIVE DATE: OCTOBER 2000

COMMONWEALTH OF PUERTO RICO
DEPARTMENT OF TRANSPORTATION AND PUBLIC WORKS
HIGHWAY AND TRANSPORTATION AUTHORITY

RECOMMENDED BY: [Signature]
DEPUTY EXEC. DIR. FOR TRAFFIC AND TOLL/ROADS
DATE: [Blank]

APPROVED BY: [Signature]
EXECUTIVE DIRECTOR
DATE: 2/-VIII-00

**OVERHEAD SIGNS
SIGN PANEL ASSEMBLY**

DATE	REVISION	BY	STD.	OHTS
10-1999	GENERAL REVISION	I.V.	DWG.	3 OF 20
03-2000	GENERAL REVISION	I.V.		
07-2000	GENERAL REVISION	I.V.		