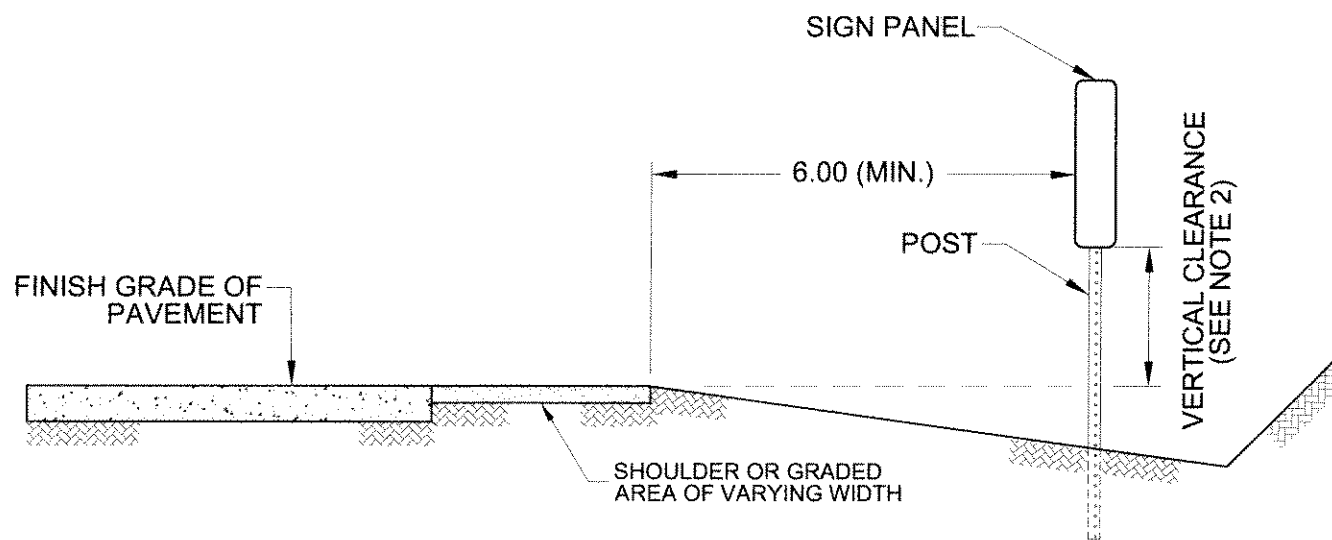
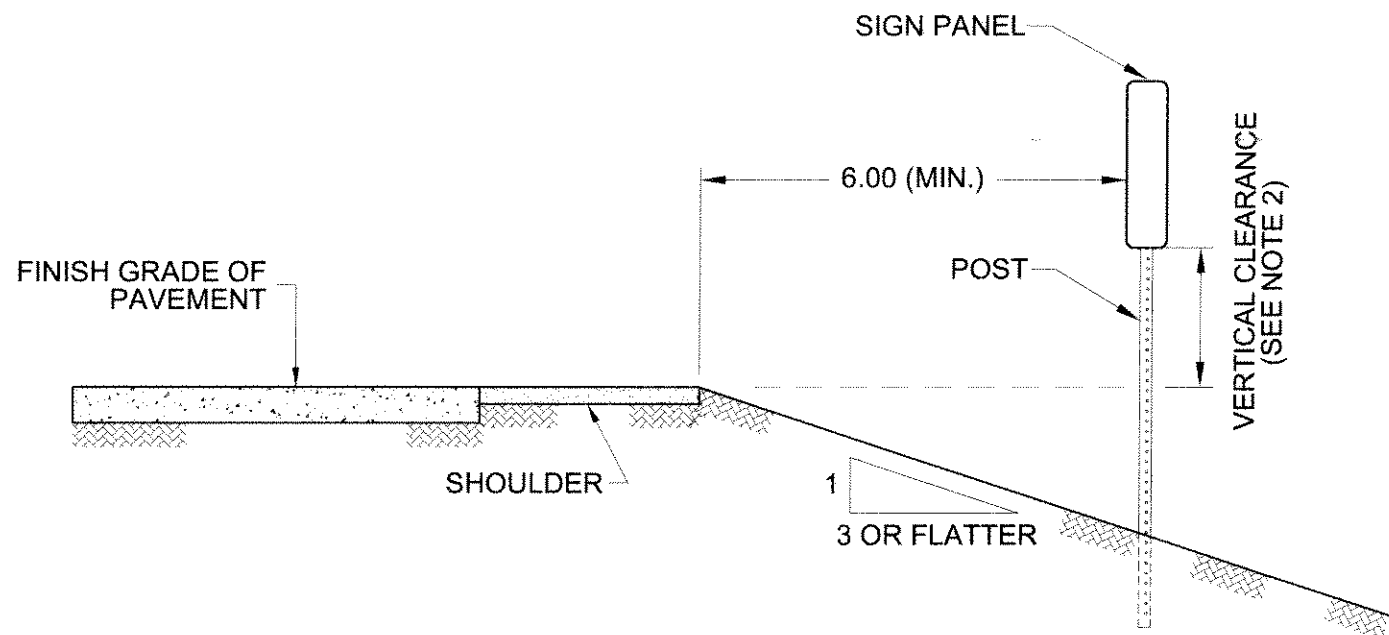


DWG BY: LMARTINEZ 2934

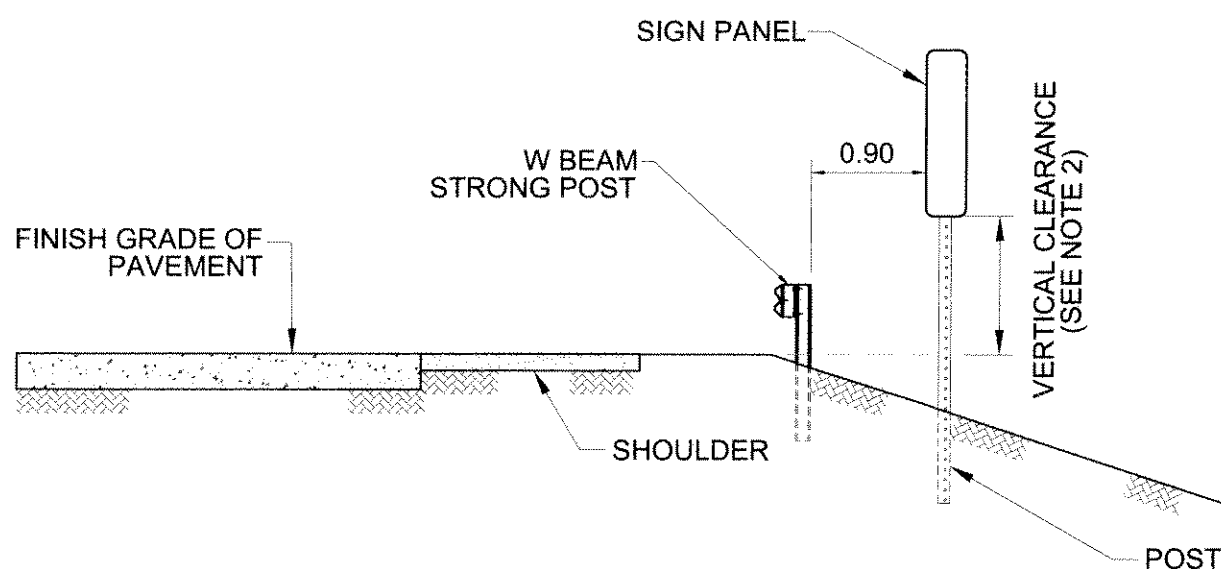
DATE	REVISION	BY	DATE	REVISION	BY
AUG. 99	ORIGINAL				
JUL. 09	PAGE RE-NUMBERING				



CUT SECTIONS



EMBANKMENTS WITH SLOPES 3:1 OR FLATTER



SECTION WITH GUARD RAIL

NOTES

1. FOR SECTION WITH GUARD RAIL, THE OFFSET APPLIES TO THE BORDER OF SIGN PANEL.
2. VERTICAL CLEARANCE TO BOTTOM OF THE SIGN PANEL SHALL BE AS INDICATED IN THE GENERAL NOTE 3 OF SHEET RLS-01.



COMMONWEALTH OF PUERTO RICO
DEPARTMENT OF TRANSPORTATION AND PUBLIC WORKS
HIGHWAY AND TRANSPORTATION AUTHORITY

STANDARD DRAWING APPROVED BY:

[Signature] 2/25/10 DATE: ASSISTANT EXECUTIVE DIRECTOR FOR INFRASTRUCTURE

[Signature] 1/25/10 DATE: ASSISTANT EXECUTIVE DIRECTOR FOR TRAFFIC AND TOLL ROADS

REFERENCE LOCATION SIGN
OFFSET DRAWINGS
TOLL ROADS AND OTHER HIGHWAYS
WITH 9 METER CLEAR ZONE

RLS-08

JANUARY 2010

ENGINEERING SERVICES AREA ENGINEERING STANDARDS OFFICE