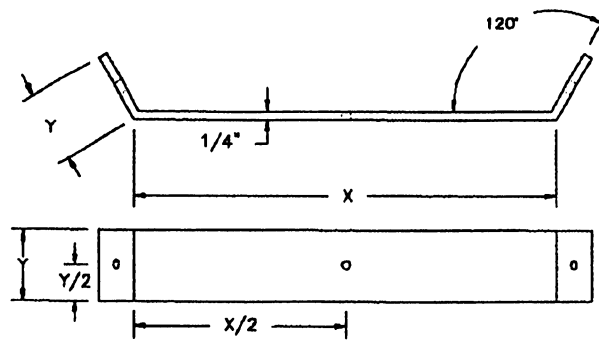
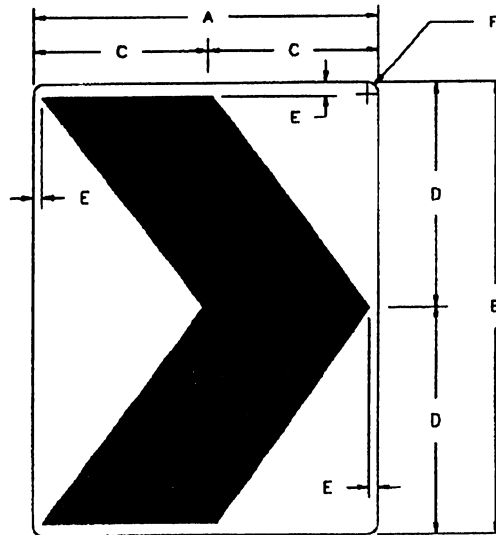


PLAN VIEW



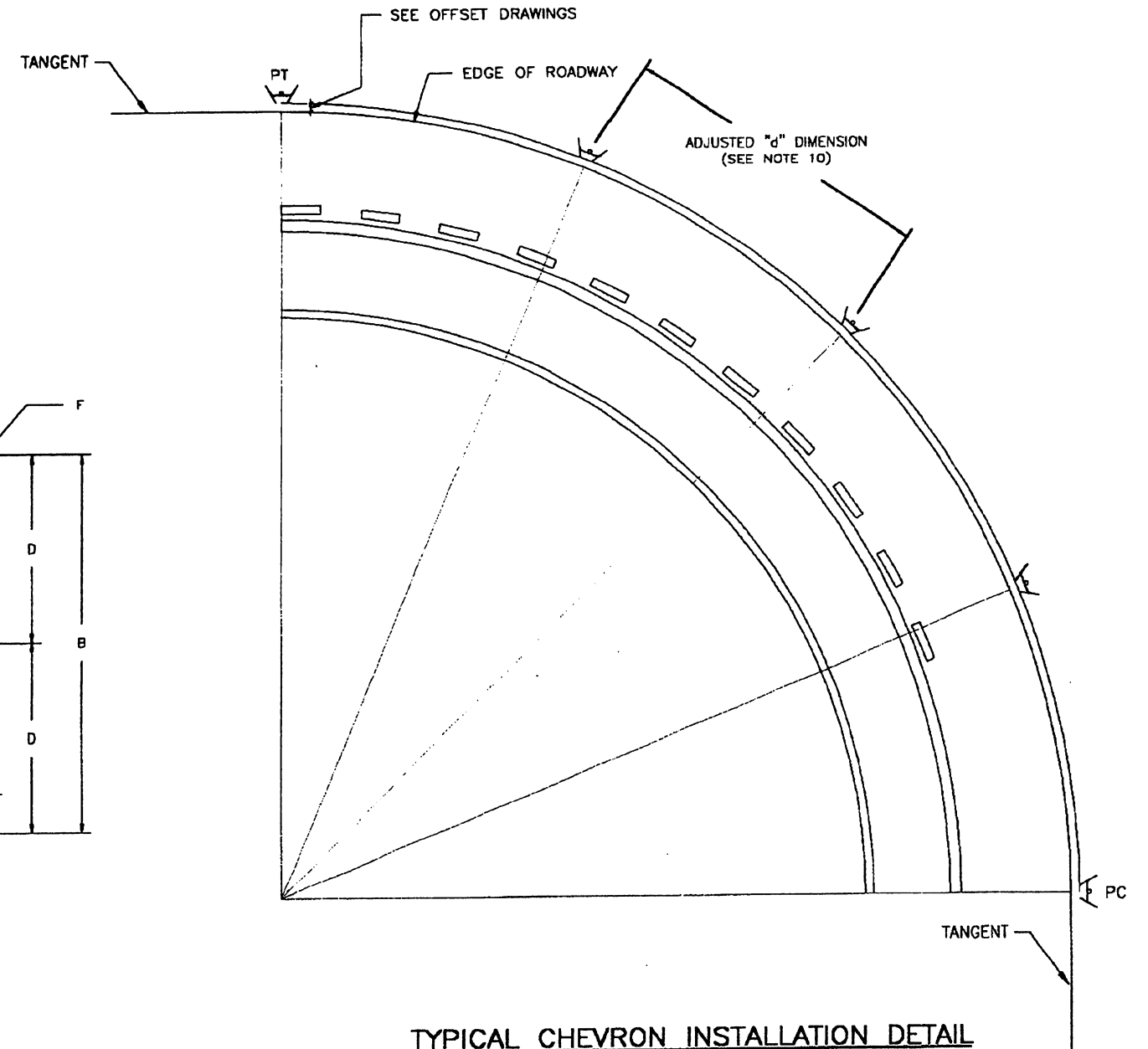
ALUMINUM STRIP DETAIL



W1-8  
CHEVRON SIGN

COLORS

BACKGROUND : YELLOW (REFL.)  
CHEVRON : BLACK (NON-REFL.)



TYPICAL CHEVRON INSTALLATION DETAIL

GENERAL NOTES :

1. THE FOUNDATIONS SHALL BE AS INDICATED FOR STEEL FLANGED CHANNEL AND SQUARE STEEL POST FOUNDATION DETAILS.
2. TOP POST TO BASE POST CONNECTION SHALL BE AS INDICATED FOR STEEL FLANGED CHANNEL AND SQUARE STEEL POST CONNECTION DETAILS.
3. VERTICAL CLEARANCE TO BOTTOM OF LOWEST SIGN PANEL SHALL BE 7'-0" TO 7'-6" FROM FINISHED GRADE OF PAVEMENT.
4. ALL VERTICAL POSTS SHALL BE CONTINUOUS IN LENGTH.
5. THE CONTRACTOR SHALL BE RESPONSIBLE FOR INCREASING OR DECREASING THE LENGTH OF POST TO ACHIEVE THE MOUNTING HEIGHT ABOVE PAVEMENT EDGE.
6. MAXIMUM DEVIATION FROM VERTICAL, FOR ANY COMPONENT, IN ANY DIRECTION SHALL BE 1/8" IN A FOOT.
7. MAXIMUM DEVIATION FROM HORIZONTAL, FOR ANY COMPONENT SHALL BE 1/8" IN A FOOT.
8. FASTENERS SHALL BE AS PER STS 5 OF 25.
9. ALUMINUM STRIP AND SIGN PLATES SHALL CONFORM TO ASTM B-209, ALLOYS 5052 H-32 H-36, 5052 H-38, 5086 H-34, 5154 H-36 OR 6061 T-6.
10. THE CONTRACTOR SHALL LOCATE THE FIRST AND LAST CHEVRON SIGN AT THE TANGENT AND CURVE (PC AND PT). USING THE LENGTH OF CURVE MEASURED ALONG THE OUTSIDE OF THE CURVE, THE CONTRACTOR SHALL ESTABLISH THE NUMBER OF CHEVRONS SIGNS NEEDED USING THE MAXIMUM SPACING INDICATED IN THE TABLE. THE CONTRACTOR SHALL LOCATE ALL CHEVRON SIGNS AT EQUAL SPACING ALONG THE OUTSIDE OF THE CURVE USING THE TABULATED SPACING VALUE OR LESS.
11. THE CONTRACTOR SHALL USE TWO ALUMINUM STRIP PER CHEVRON MOUNTING.

TABLE 1

V (MPH)	DIMENSIONS (inches)								MAX. SPACING	
	A	B	C	D	E	F	X	Y	ft	M
$V \leq 35$	12	18	6	9	1/2	1 1/2	15	2	65	20
$35 < V \leq 40$	24	30	12	15	7/8	1 1/2	27	4	95	30
$40 < V \leq 50$	30	36	15	18	1	1 7/8	33	6	165	50
$V > 50$	36	48	18	24	1 1/8	2 1/4	39	8	165	50

EFFECTIVE DATE: JANUARY 2000

COMMONWEALTH OF PUERTO RICO  
DEPARTMENT OF TRANSPORTATION  
AND PUBLIC WORKS  
HIGHWAY AND TRANSPORTATION AUTHORITY

RECOMMENDED BY: *[Signature]*  
DEPUTY EXC. DIR. FOR TRAFFIC AND TOLL ROADS  
DATE: 12-20-99

APPROVED BY: *[Signature]*  
EXECUTIVE DIRECTOR  
DATE: 12-21-99

APPROVED BY: *[Signature]*  
DIV. ADM. FINA-PR DIVISION  
DATE: 12-20-99

DATE	REVISION	BY
12-1999	GENERAL REVISION	I.V.

STD. DWG. 18 OF 25