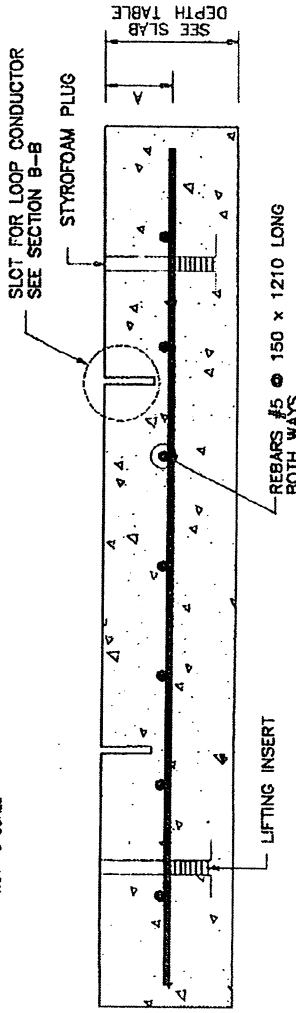
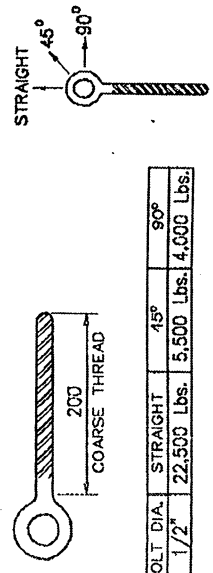


**STRUCTURAL DESIGN AND DIMENSION DETAILS**  
NOT TO SCALE



**SECTION A-A**  
NOT TO SCALE

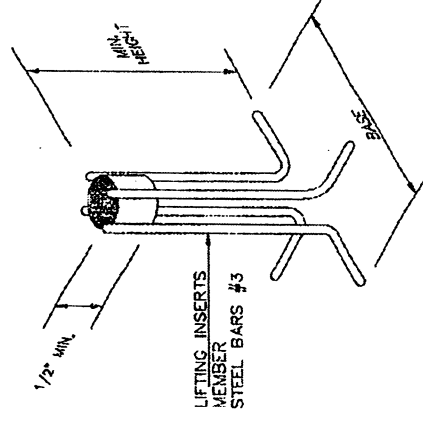


BOLT DIA.	STRAIGHT	45°	90°
1/2"	22,500 Lbs.	5,500 Lbs.	4,500 Lbs.

SLAB DEPTH TABLE

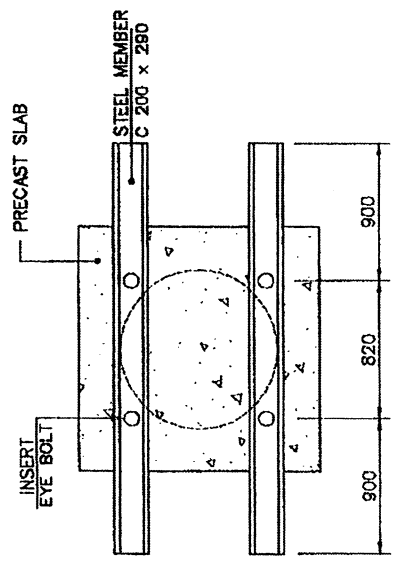
DEPTH	A
ASPHALT	200
COMPOSITE	125
	75

**LIFTING INSERT DETAIL**  
NOT TO SCALE

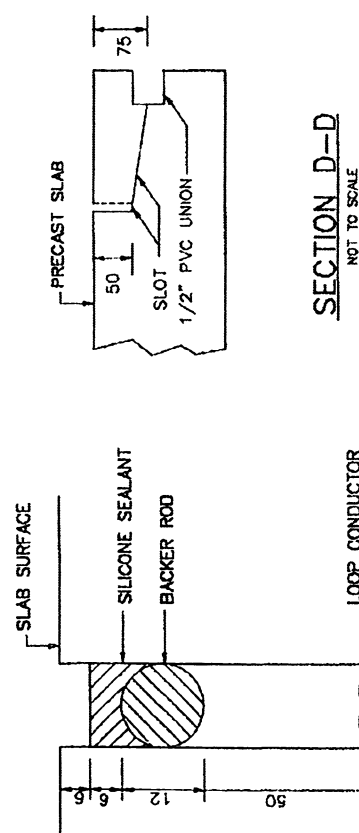


BOLT DIAMETER	BASE	MIN. HEIGHT	WORKING TENSION	LOAD SHEAR
1/2"	240	75	3,500	10,000

**LIFTING STEEL MEMBERS**  
NOT TO SCALE



NOTE:  
THE STEEL MEMBER SHALL BE USED FOR INSTALLING OR REMOVING THE PRECAST LOOP DETECTOR.

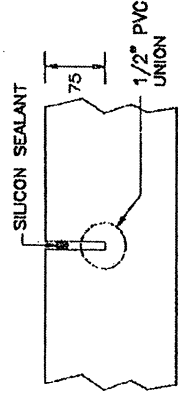


**SECTION B-B**  
NOT TO SCALE

**SECTION C-C**  
NOT TO SCALE

**SECTION D-D**  
NOT TO SCALE

- NOTES:**
- 1 - PRECAST CONCRETE SHALL CONFORM TO SPECIFICATION 501 OF THE STANDARD SPECIFICATIONS FOR ROAD AND BRIDGE CONSTRUCTION. CONTRACTOR SHALL SUPPLY MATERIAL CERTIFICATE.  
CLASS "D" CONCRETE :  $f'_c = 5000$  PSI  
REINFORCING STEEL :  $f_y = 36000$  PSI
  - 2 - LOOP SLOTS SHALL BE PERFORMED BY MEANS OF A STEEL RING FORMS.
  - 3 - LOOP SLOTS SHALL BE SEALED WITH A SILICONE SEALANT AFTER THE LOOP CONDUCTOR IS INSTALLED. THE SILICONE SEALANT SHALL MEET THE REQUIREMENTS OF ARTICLE 705-1.01 OF SPECIFICATION 705-JOINT MATERIALS OF THE STANDARD SPECIFICATIONS FOR ROAD AND BRIDGE CONSTRUCTION. SEE SECTION B-B.
  - 4 - THE SILICONE SEALANT AND BACKER ROD SHALL MEET THE REQUIREMENTS OF ARTICLE 507-2 OF SPECIFICATION 507-JOINT MATERIALS OF THE STANDARD SPECIFICATIONS FOR ROAD AND BRIDGE CONSTRUCTION.
  - 5 - CONDUCTORS SHALL MEET THE REQUIREMENTS OF THE NATIONAL ELECTRICAL CODE (LATEST EDITION) AND SHALL BE UNDERWRITERS LABORATORY LISTED.



**DETAIL A-A**  
NOT TO SCALE

EFFECTIVE DATE: APRIL 1997

COMMONWEALTH OF PUERTO RICO  
DEPARTMENT OF TRANSPORTATION  
AND PUBLIC WORKS  
HIGHWAY AND TRANSPORTATION AUTHORITY

TRAFFIC SIGNAL  
PRECAST SLAB  
LOOP DETECTOR

APPROVED BY: *[Signature]*  
ASST. DIR. FOR TRAFFIC  
DATE: 8-14-97

APPROVED BY: *[Signature]*  
EXECUTIVE DIRECTOR  
DATE: 8-14-97

DIV. ADM. FHW-18-97

DATE	REVISION	BY

STD. TRSI  
DWG. 5 OF 40