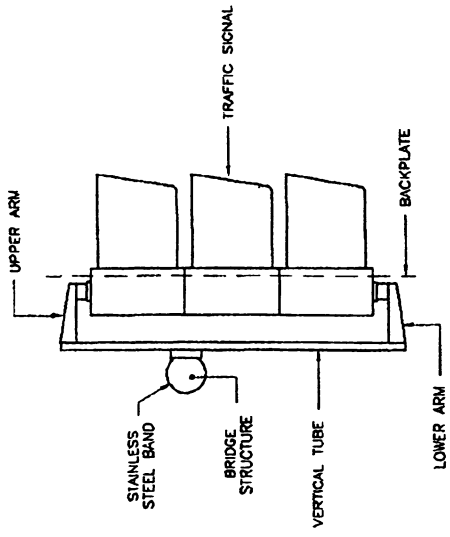
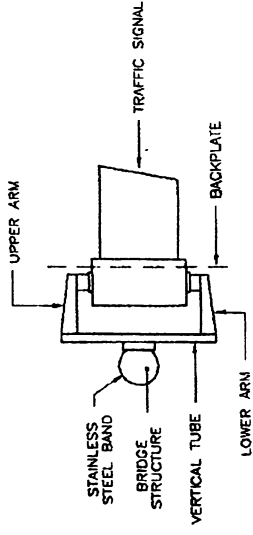


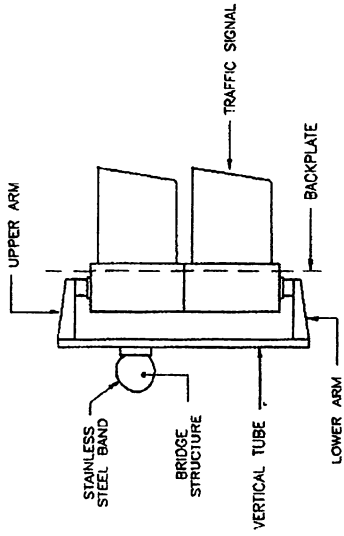
**CLUSTER FACE
(BRACKET)**
5-SR-C
5-SL-C



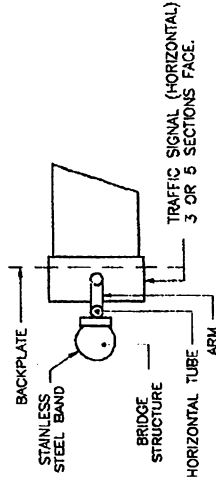
**THREE SECTIONS
(BRACKET)**
3-S-V
3-R-V
3-L-V



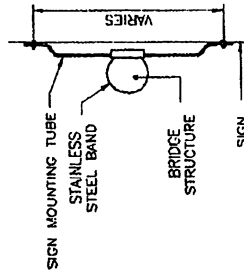
**CONTINUOUS OR ONE
SECTION BEACON-ARM
(BRACKET)**
1-F-Y
2-F-R



**TWO SECTIONS BEACON-ARM
(BRACKET)**
2-F-Y
2-F-R



**3 OR 5 HORIZONTAL SECTIONS-ARM
(BRACKET)**
3-S-H 5-SR-V
3-R-H 5-SR-V
3-L-H



**SIGN-ARM
(BRACKET)**

NOTES:

- 1- ALL MOUNTING INDICATED IN THIS DRAWING ARE SUITABLE FOR BRIDGE TYPE STRUCTURES.
- 2- ALL TRAFFIC SIGNAL FACES SHALL BE ORIENTED TOWARDS PROPOSED CONTROLLED LANES.
- 3- CONTRACTOR SHALL PROVIDE ALL NECESSARY MATERIALS AND HARDWARE FOR THE INSTALLATION OF THE TRAFFIC SIGNAL FACES.
- 4- CLEARANCE ABOVE ANY PORTION OF THE FINISHED PAVEMENT SHALL BE 5.8 METERS MINIMUM AND 6.0 METERS MAXIMUM.
- 5- THE BOTTOM OF SIGNAL HEADS ON EACH APPROACH SHALL BE AT THE SAME LEVEL.
- 6- WIRE OUTLET SHALL BE GASKETED AND RAIN-TIGHT TYPE.

EFFECTIVE DATE: OCTOBER 1997

COMMONWEALTH OF PUERTO RICO
DEPARTMENT OF TRANSPORTATION
AND PUBLIC WORKS
HIGHWAY AND TRANSPORTATION AUTHORITY

TRAFFIC SIGNAL
BRIDGE TYPE MOUNTING

RECOMMENDED BY: *[Signature]*
ASST. EXEC. DIR. FOR TRAFFIC
DATE: 21 OCT 97
APPROVED BY: *[Signature]*
EXECUTIVE DIRECTOR
DATE: 23 NOV 97
APPROVED BY: *[Signature]*
DIV. ADM. ENGR-DIVISION
DATE: 29 OCT 97

DATE	REVISION	BY

STD. TRSI
DWG. 26 OF 40